

Car Stereo Service Bulletin

CSA-14

Sony Service Company - Technical Services
A Division of Sony Electronics Inc.
Sony Drive, Park Ridge, New Jersey 07656

Model: CDX-71/71RF

No. 365

Subject: Controller Displays "ERROR"; Discs Load But Don't Play.

Date: May 2, 1995

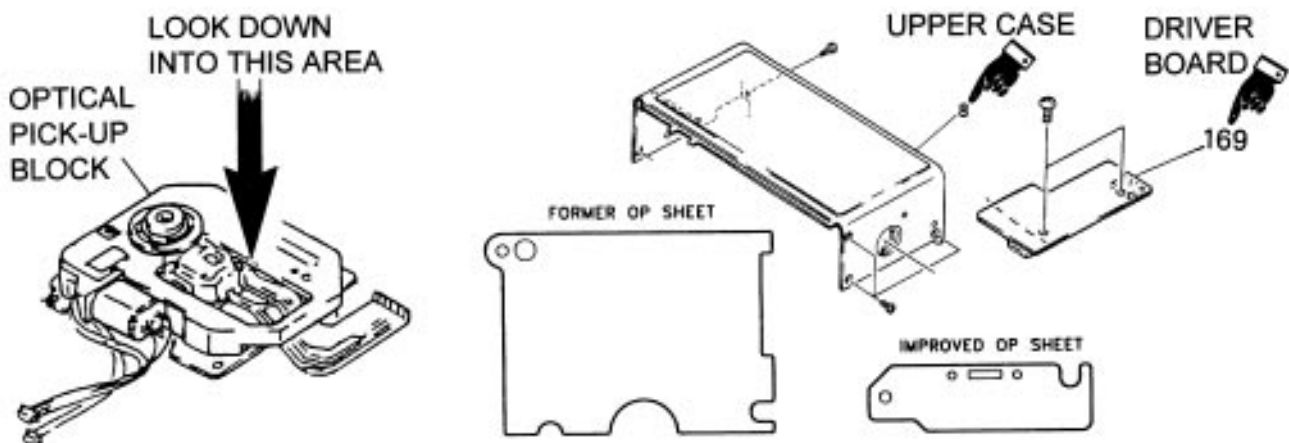
Symptom:
(13)

The display on the controller shows "ERROR" when the end of the current disc is reached. The mechanism loads the next disc, but will not play it. It then loads the next disc, but will not play it either. This problem may be caused by the optical pickup getting caught on the OP sheet as it tries to return to the innermost position, which prevents it from reaching the T.O.C. area of the disc.

Solution:

Change the OP sheet (REF. 261) for an improved one which is smaller in size. Some units already have the improved OP sheet installed. The type of sheet in a particular unit can be identified as follows:
1- Remove the Upper Case, Ref. 8, and the Driver Board, Ref. 169.
2- Look down into the optical pickup block. If a black sheet is seen in the vicinity of the flex cable, replace the OP sheet with the improved one. If you can see the metal plate below the flex cable it is not necessary to change the OP sheet.

REF	FORMER		NEW	
	DESCRIPTION	PART NUMBER	DESCRIPTION	PART NUMBER
261	SHEET (OP)	3-919-984-03	SHEET (OP)	3-926-531-01



Filename: CAR0365.SB
Directory: J:\SBDOC\MAY95
Template: C:\WINWORD\S_BULL.DOT
Title:
Subject:
Author: Hoyt Wing Lee
Keywords:
Comments:
Creation Date: 05/02/95 11:32 AM
Revision Number: 2
Last Saved On: 05/02/95 11:32 AM
Last Saved By: Hoyt Wing Lee
Total Editing Time: 1 Minute
Last Printed On: 04/01/96 9:42 AM
As of Last Complete Printing
Number of Pages: 2
Number of Words: 234 (approx.)
Number of Characters: 1,338 (approx.)